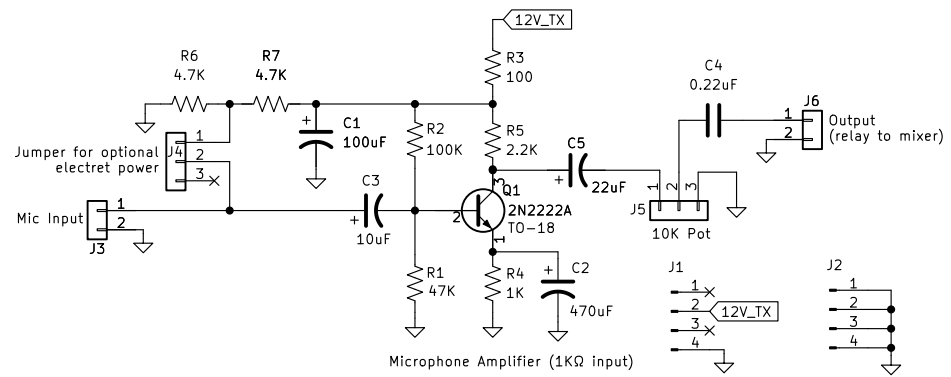


**20-Meter Psst Transceiver Motherboard**

Sheet: /  
File: P3ST\_motherboard\_rev.B.kicad\_sch  
Drawn by T.F. Carney

Size: USLedger | Date: 2022-12-18 | Rev:  
(C) Todd F. Carney / Creative-Commons license (CC BY-SA 4.0) | Id: 1/1

mostly **DIYRF**



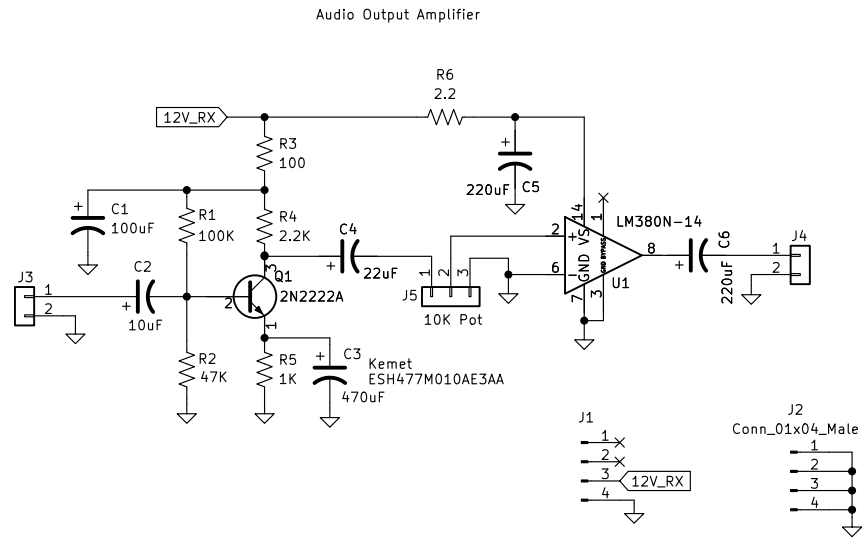
*mostly* **DIYRF**<sup>™</sup>

**Pssst Microphone Amplifier**

Sheet: /  
 File: Pssst\_microphone\_amp.kicad\_sch

**Drawn by T.F. Carney**

Size: USLetter	Date: 2022-12-29
(C) Todd F. Carney / Creative-Commons license (CC BY-SA 4.0)	
<b>Rev: A</b>	
Id: 1/1	



### Psst Audio Output Amplifier



Sheet: /  
File: Psst\_audio\_out.kicad\_sch

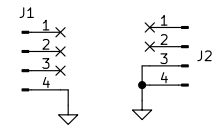
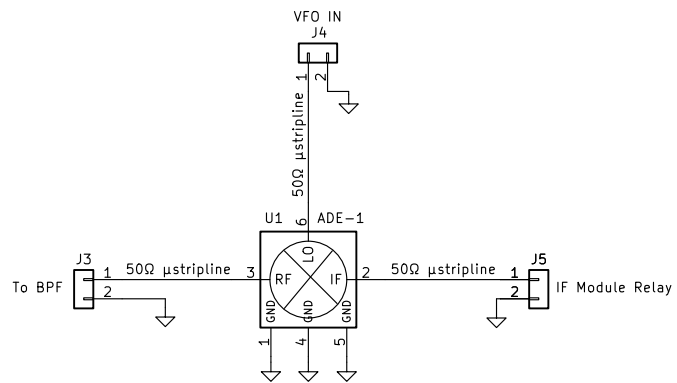
**Drawn by T.F. Carney**

Size: USLetter    Date: 2022-12-29

(C) Todd F. Carney / Creative-Commons license (CC BY-SA 4.0)

**Rev: A**

Id: 1/1



## Pssst VFO Mixer



Sheet: /  
File: Pssst\_VFO\_Mixer.kicad\_sch

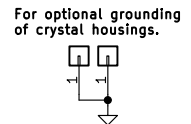
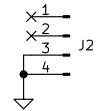
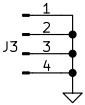
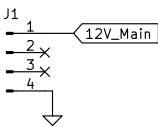
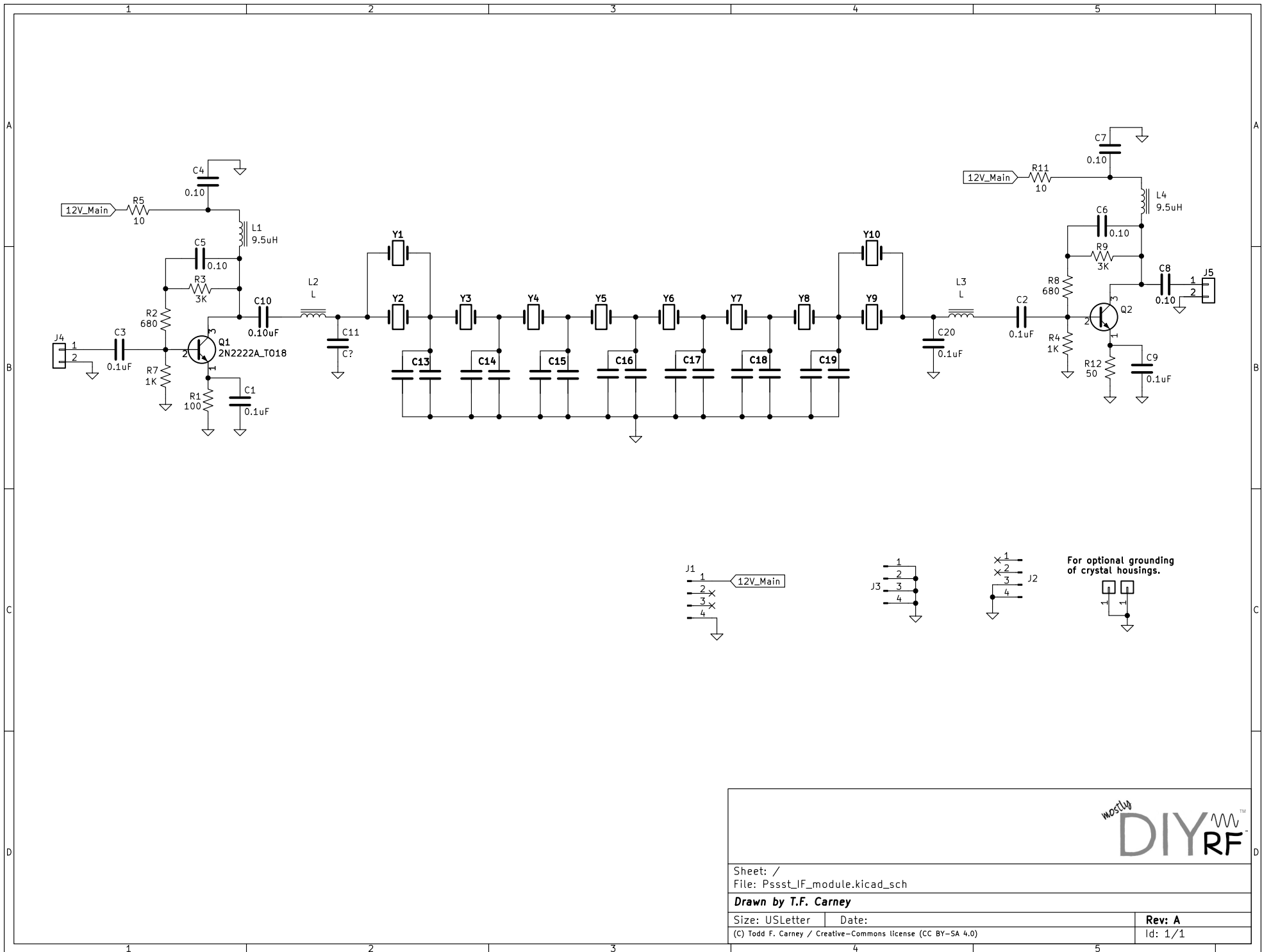
Drawn by T.F. Carney

Size: USLetter Date: 2023-07-23

(C) Todd F. Carney / Creative-Commons license (CC BY-SA 4.0)

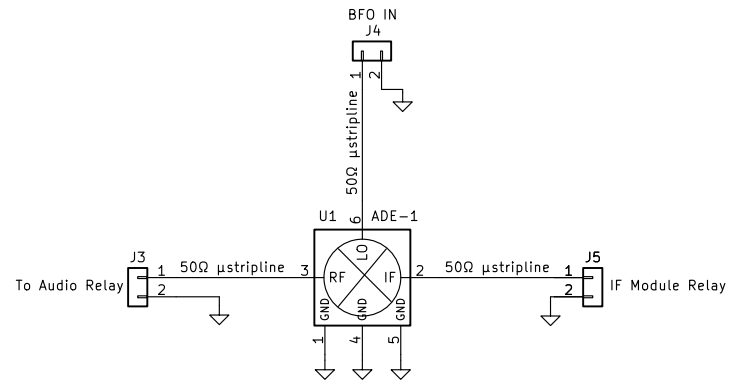
Rev: A

Id: 1/1

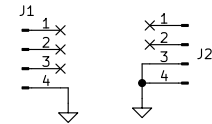


Mostly  
**DIYRF**<sup>™</sup>

Sheet: /		File: Pssst_IF_module.kicad_sch	
<b>Drawn by T.F. Carney</b>			
Size: USLetter	Date:	Rev: A	
(C) Todd F. Carney / Creative-Commons license (CC BY-SA 4.0)			Id: 1/1



Note 1: In this application, the mixer's RF port is used for audio input or output.



## Pssst BFO Mixer



Sheet: /  
File: Pssst\_BFO\_mixer.kicad\_sch

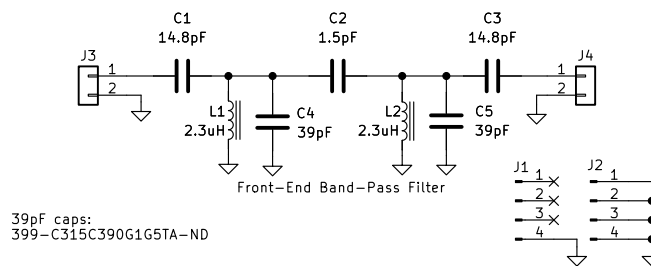
Drawn by **T.F. Carney**

Size: USLetter | Date: 2023-07-23

(C) Todd F. Carney / Creative-Commons license (CC BY-SA 4.0)

Rev: **A**

Id: 1/1



### Pssst Frontend Bandpass Filter



Sheet: /  
File: Pssst\_frontend\_bandpass.kicad\_sch

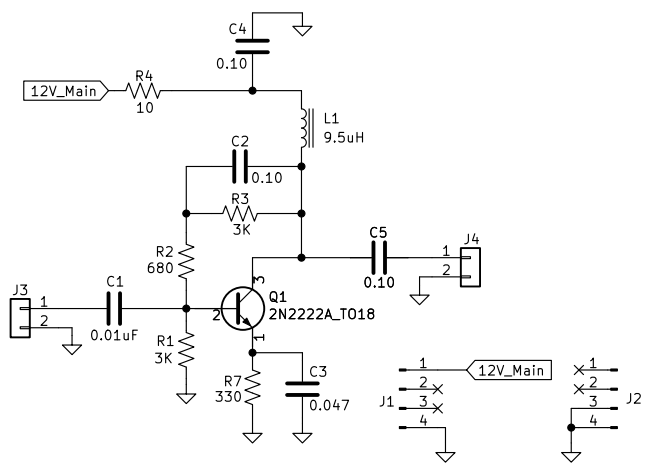
**Drawn by T.F. Carney**

Size: USLetter Date: 2022-12-29

Rev: A

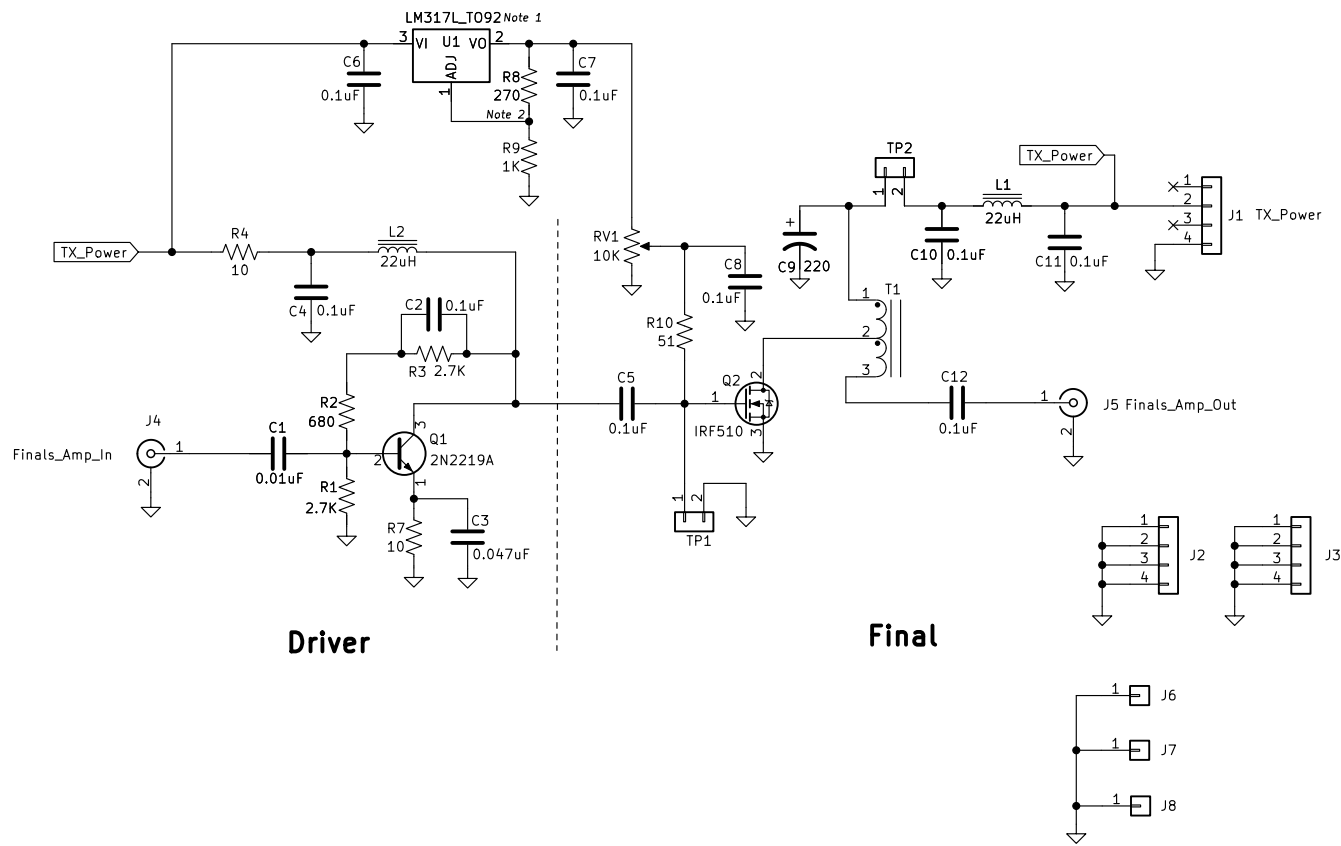
(C) Todd F. Carney / Creative-Commons license (CC BY-SA 4.0)

Id: 1/1



Sheet: /		Date:	
File: Pssst_RF_amp.kicad_sch			
<b>Drawn by T.F. Carney</b>			
Size: USLetter	Date:		Rev: A
(C) Todd F. Carney / Creative-Commons license (CC BY-SA 4.0)			Id: 1/1





Note 1: Lower noise than LMxx series.

Note 2: Selecting R8 at low end of tolerance (e.g., 260) and R9 at high end of tolerance (e.g., 1050) will result in slightly-higher voltage (~6.3V).

## Pssst Final TX Amplifier

Sheet: /  
File: Pssst\_TX\_final\_amp.kicad\_sch

Drawn by T.F. Carney

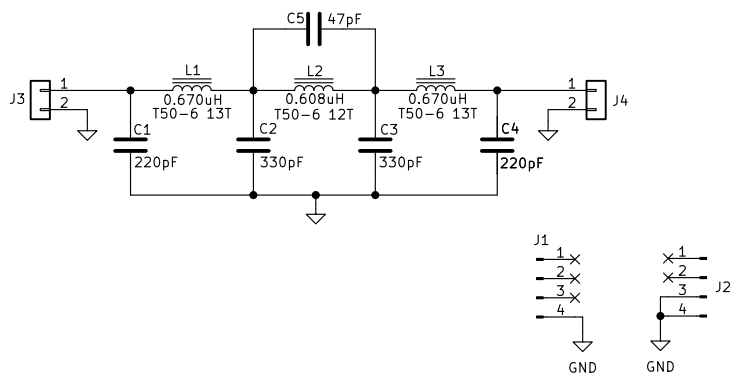
Size: USLetter Date: 2022-12-29

(C) Todd F. Carney / Creative-Commons license (CC BY-SA 4.0)

Rev: A

Id: 1/1

mostly  
**DIYRF**<sup>™</sup>



### Pssst Final Low-Pass Filter



Sheet: /  
File: Pssst\_final\_lowpass.kicad\_sch

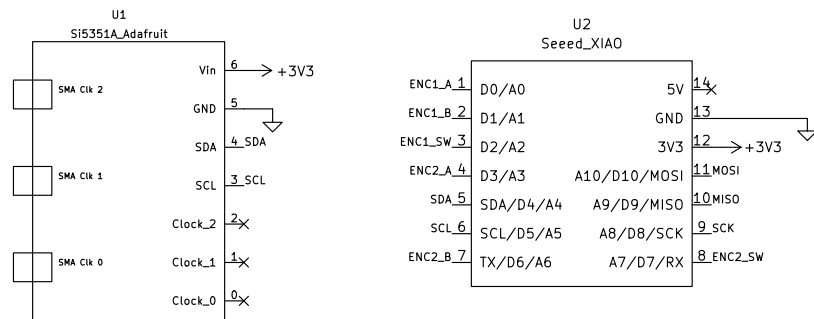
Drawn by T.F. Carney

Size: USLetter Date: 2023-07-21

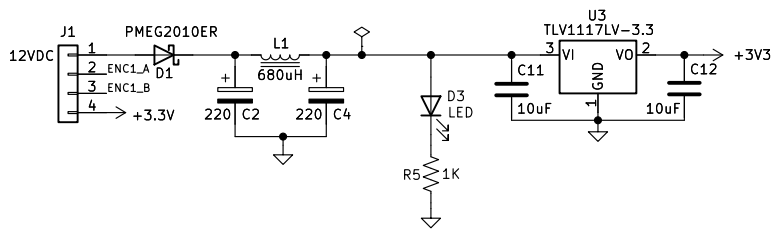
Rev: A

(C) Todd F. Carney / Creative-Commons license (CC BY-SA 4.0)

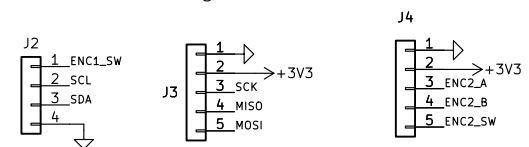
Id: 1/1



Power Filter and Regulators



Board-Edge Breakout Headers



mostly **DIYRF**<sup>™</sup>

**Pssst Digital VFO/BFO (Xiao) Module**

Sheet: /  
 File: Pssst\_Xiao\_Digital\_VFO\_BFO.kicad\_pro.kicad\_sch

**Drawn by T.F. Carney**

Size: A	Date: 2023-07-23
(C) Todd F. Carney / Creative-Commons license (CC BY-SA 4.0)	
Rev: A	
Id: 1/1	