

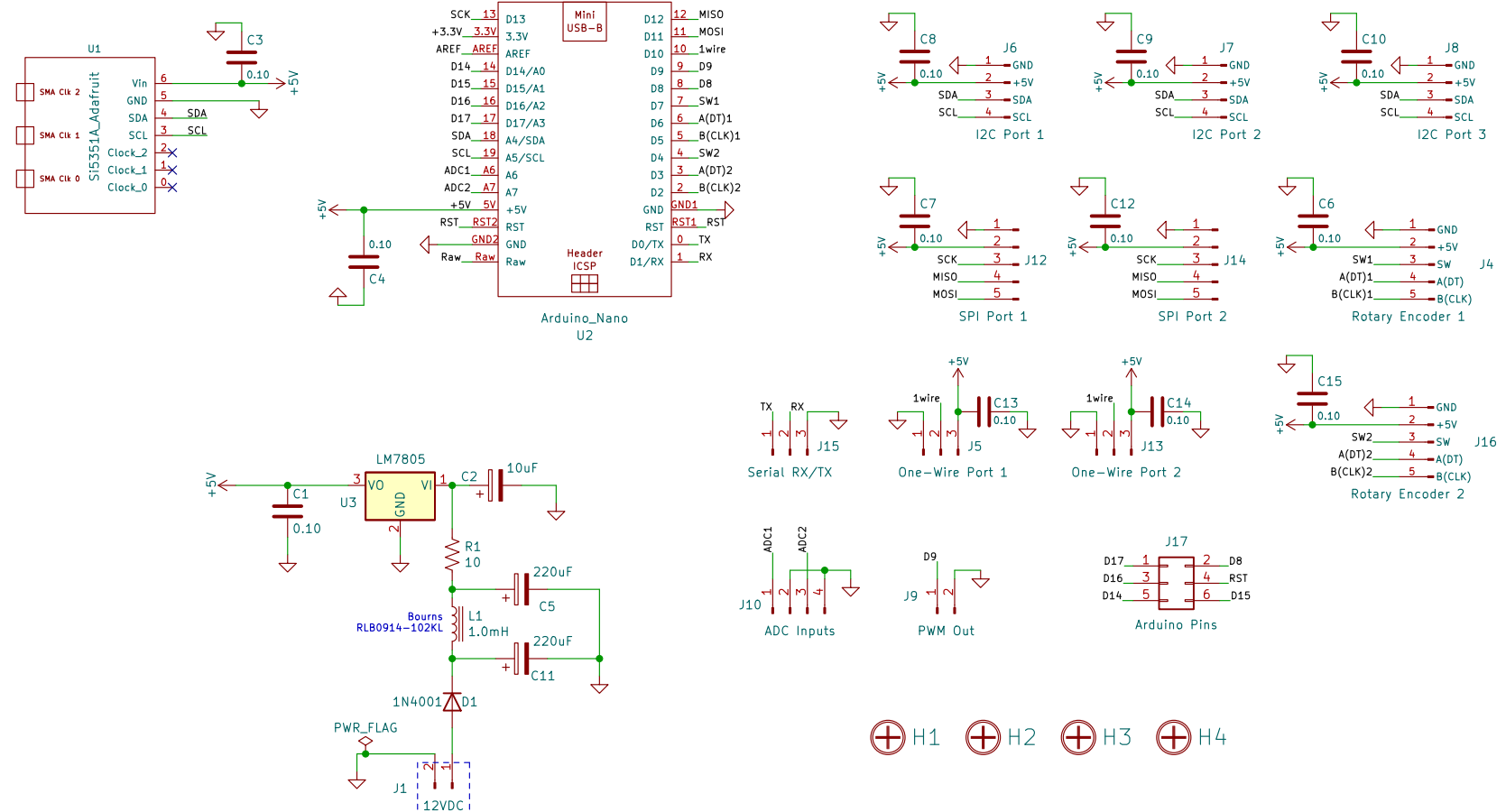
mostly  
**DIYRF**<sup>TM</sup>


**UDVBM-1 Universal Digital VFO/BFO Motherboard**

Sheet: /  
File: UDVBM-1.kicad\_sch

**Drawn by T.F. Carney**

Size: A	Date: 2022-03-20
(C) Todd F. Carney / Creative-Commons license (CC BY-SA 4.0)	
Rev: B	Id: 1/1



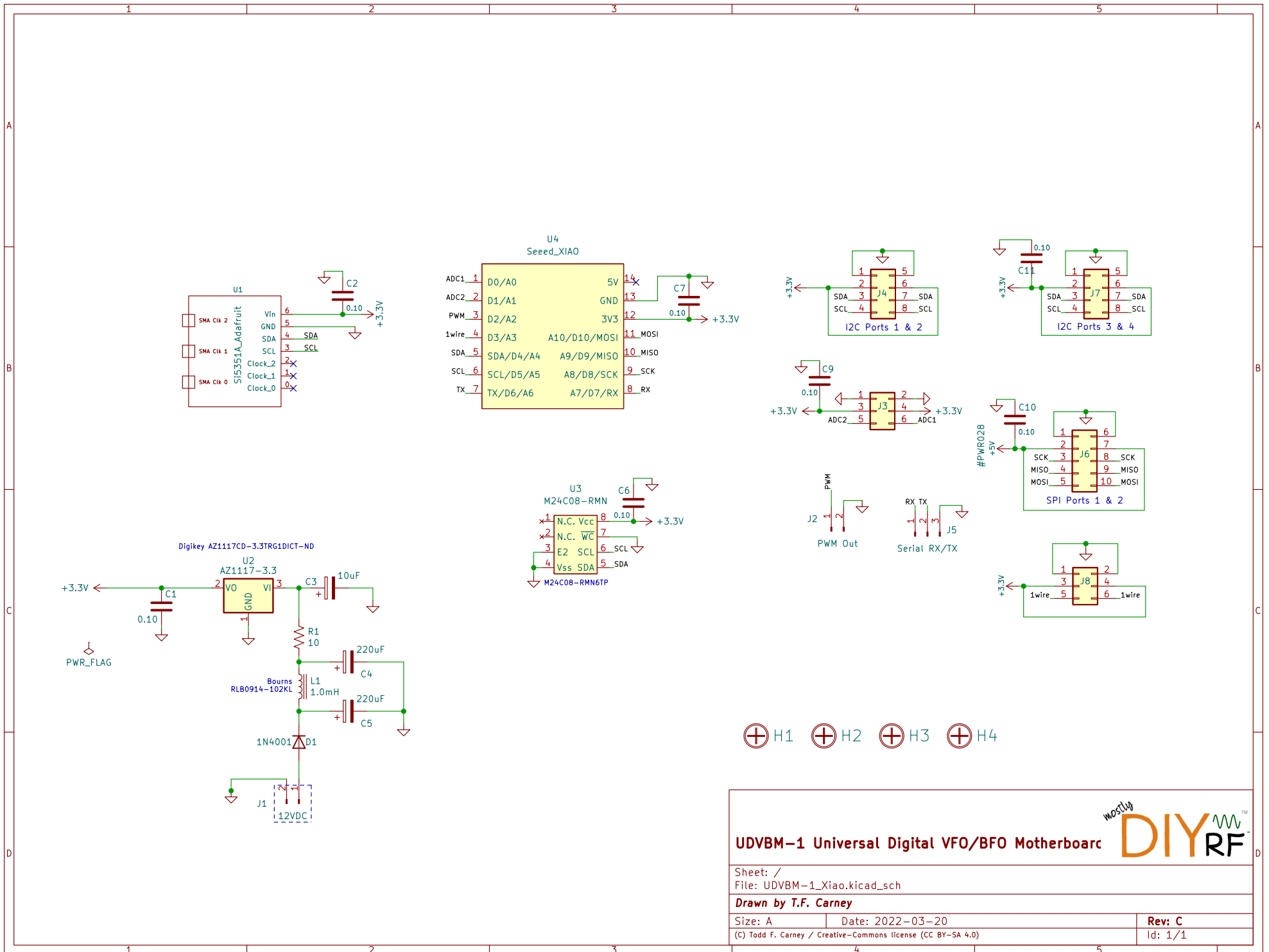


**UDVBM-1 Universal Digital VFO/BFO Motherboard**

Sheet: /  
File: UDVBM-1\_Nano.kicad\_sch

**Drawn by T.F. Carney**

Size: A	Date: 2022-03-20
(C) Todd F. Carney / Creative-Commons license (CC BY-SA 4.0)	
Rev: B	Id: 1/1



⊕ H1 ⊕ H2 ⊕ H3 ⊕ H4

### UDVBM-1 Universal Digital VFO/BFO Motherboard



Sheet: /  
File: UDVBM-1\_Xiao.kicad\_sch

Drawn by T.F. Carney

Size: A Date: 2022-03-20

Rev: C

(C) Todd F. Carney / Creative-Commons license (CC BY-SA 4.0)

Id: 1/1